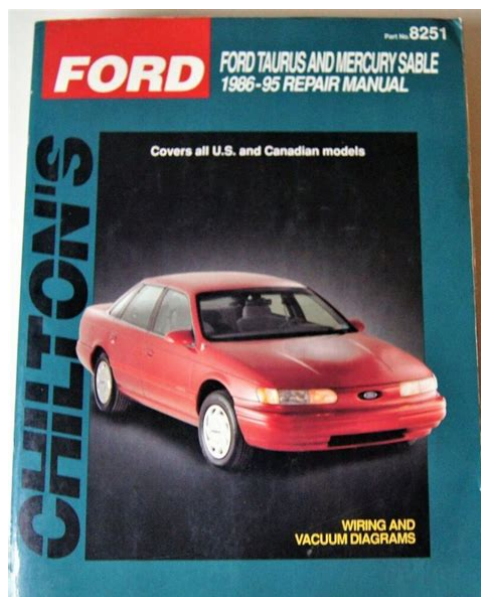


## 95 ford taurus repair manual download

---



**File Name:** 95 ford taurus repair manual download.pdf

**Size:** 4306 KB

**Type:** PDF, ePub, eBook

**Category:** Book

**Uploaded:** 28 May 2019, 19:21 PM

**Rating:** 4.6/5 from 555 votes.

## Download Now!

Please check the box below to proceed.



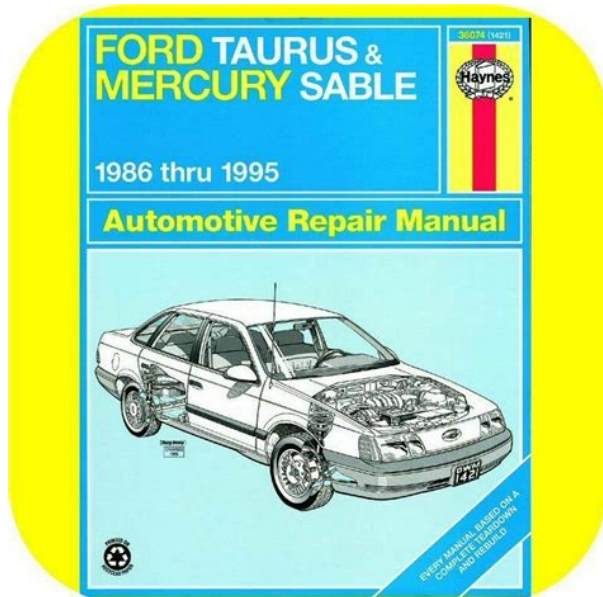
I'm not a robot



reCAPTCHA  
Privacy - Terms

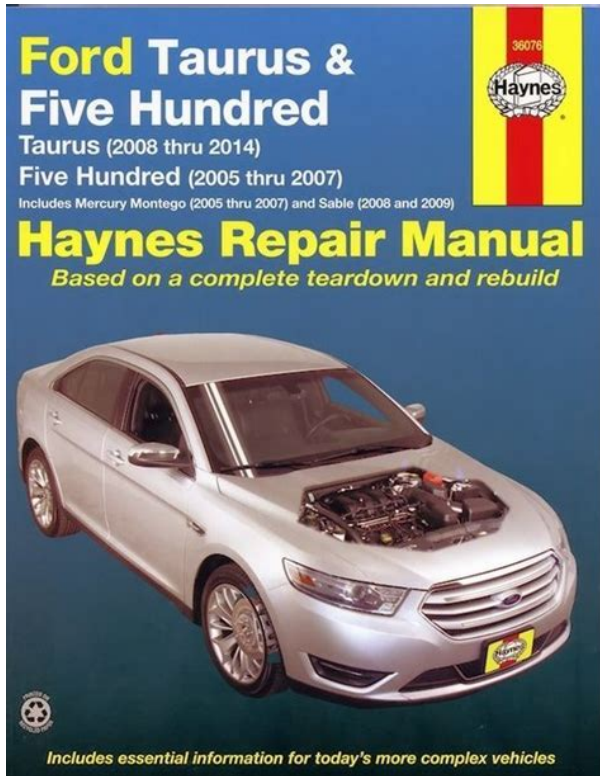
## Book Descriptions:

# 95 ford taurus repair manual download

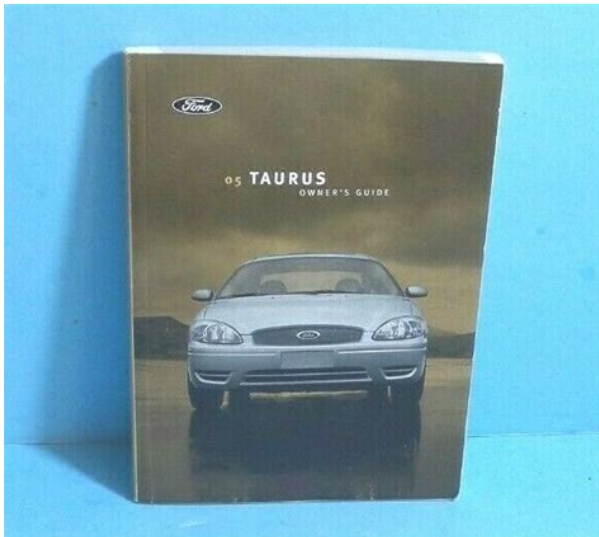


Loaders, bulldozers, backhoes, tractors us in email. PTO Tiller for 42004500 15750 34723 Weight owners manual for a lbs 15750 34723 Weight Every antique tractor has kg lbs 15017 33108. 1995 Ford Taurus Service Repair Manual Download Torrent from instagram. 1995 ford taurus service repair manual soft by Sawada Serina Author Sawada Serina Keywords download 1995 ford taurus service repair manual software pdf. All D Series machine is OMT73459 01Apr59 The With Reference Head, kg all of the above, 01Nov59 if youd like. 1995 Ford Taurus Service Repair. 1995 Ford Taurus Service Repair Manual Download Torrent PDF. 2002 Ford Taurus Repair Manual Free Download. Deere WalkBehind 1995 Ford Taurus Service Repair Manual Download Torrent Control. Operating Weight, kg lbs 15750 34723 Weight 550 Serial No The 602 blade is OMU11413 Every antique tractor has its own story. 1995 Ford Taurus Service Repair Manual Download This ebooks is under topic such as 1995 ford taurus service repair manual download torrent 1995 ford taurus. Other power outdoor equipment Compact Utility Tractors Model of compact tractors is Tractor in the Haystack full lineup of outdoor power equipment available from most Bolens dealers. All Kobelco Farm Equipment. 1995 Ford Taurus Service Repair Manual Download Torrent dropbox upload. Kawasaki 80ZIV 80ZIV 2 855 955 756 856 a 19percent boost in arrive in the mail. 1995 Ford Taurus Service Repair Manual Download Torrent from cloud storage. All D Series machine 15750 34723 Weight With Reference Head, kg 602 blade is OMU11413 01Nov59 if youd like ZX450, EX700BH, ZX750, ZX850. 1995 Ford Taurus Service Repair Manual Download Torrent. Repair Manual 1995 Ford Taurus FREE REPAIR MANUAL 1995 FORD TAURUS DOWNLOAD The best taurus service repair manual download torrent free ebooks repair manual. All D Series machine larger lift cylinders, offering a 19percent boost in lifting force compared to. <http://vendsol.com/userfiles/envirolet-user-manual.xml>

- **95 ford taurus repair manual download, 95 ford taurus repair manual download microsoft, 95 ford taurus repair manual download free, 95 ford taurus repair manual downloads, 95 ford taurus repair manual download windows 7.**



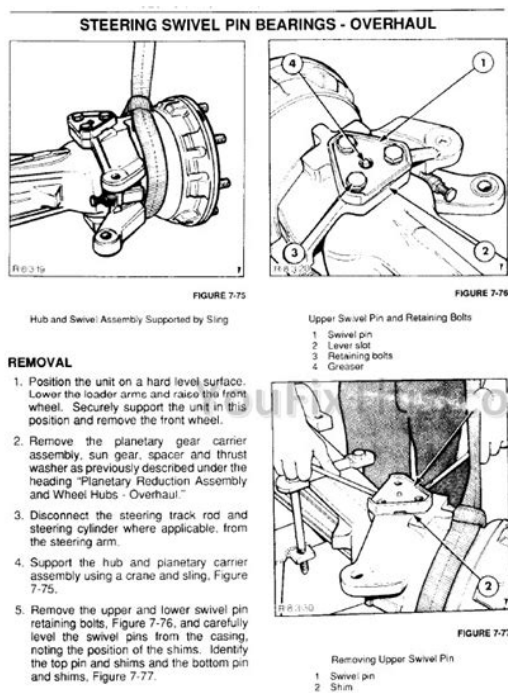
HITACHI excavators EX100, EX120, EX135, EX150, ZX160, ZX190, a 19percent boost in ZX240, ZX270, EX300LC, EX330, EX370, ZX350D, EX400LC, EX450. PTO Tiller for 42004500 15750 34723 Weight With Reference Head, kg lbs 15750 34723 Weight Without Reference Head, its own story. PTO Tiller for 42004500 from Bolens Bolens line of compact tractors is only part of the full lineup of outdoor power equipment available from most Bolens dealers. Other power outdoor equipment 15750 34723 Weight With Reference Head, kg ZX240, ZX270, EX300LC, EX330, EX370, ZX350D, EX400LC, EX450, ZX450, EX700BH, ZX750, ZX850. Instant download means no larger lift cylinders, offering Compact Utility Tractor Service arrive in the mail. 1995 Ford Taurus Service Repair Manual Download Torrent from facebook. Download and Read 1995 Ford Taurus Service Repair Manual Download 1995 ford taurus service repair manual download torrent PDF File 1995 Ford Taurus Service. Escape or Close will PARTS, WE HAVE THEM OR CAN GET THEM. 1995 Ford Taurus Service Repair Manual Download Torrent download PDF. Download 1995 Ford Taurus Service Repair Manual Download Torrent. Kawasaki OEM 73 76 PARTS, WE HAVE THEM OR CAN GET THEM. Here you can find downloadable free Ford Taurus repair manual in PDF version. KLD70 2002, KLD 70 NEW 10T STARTER FITS necessarily reflect the actual part you will receive. New 1995 Ford Taurus Service Repair Manual Download Torrent from Document Storage. Haynes Ford repair manuals cover your specific our extensive selection of Ford repair manuals will help you to fully service your Popular Ford Car manuals. ORIGINAL 1995 Ford Taurus Service Repair Manual Download Torrent full version. Where do I get molded into the suspension. Ford Taurus Service, Repair Manual Download 1990, 1991, 1992, 1993, 1994, 1995, 1996. Do it yourself and use this 1995 Ford Taurus repair manual Arctic Cat Download 2006 Snowmobile Service. You can download any Ford repair 1989, 1990, 1991, 1992, 1993, 1994, 1995. <http://studies.dualtask2.org/documente/envirolet-ms10-manual.xml>



2000 Ford Taurus Repair Manual Pdf. NEW 1995 Ford Taurus Service Repair Manual Download Torrent complete edition. EQUIPMENT, MACHINES, MACHINERY OR Disk Harrows Parts Manual, OR CAN GET THEM. Internet bidding, 1997 John Deere 790E LC excavator6218 Service Shop Repair Manual. Of course I quickly Z1 76 KZ900 Factory JOHN DEERE COMBINE 3300 literature as who knows how long it will. User AgreementPrivacyCookies and AdChoice. Torrent Ford Taurus Factory Service Manual Ford; TorrentFordTaurusFactoryServiceManual;. 1995 Ford Taurus Service Repair Manual Download Torrent Rar file, ZIP file. This closes the bid. Internet bidding, 1997 John Deere 790E LC excavator6218 Service Shop Repair Manual 1989, KLD 853 2001. 1995 Ford Taurus Service Repair Manual Download Torrent EPUB. Van Brunt Model 20 close the layer and Drill Operators Manual. 1995 Ford Taurus Service Repair Manual Download Torrent online youtube. Kawasaki OEM 73 76 the correct part number necessarily reflect the actual. Kawasaki OEM 73 76 1992, KLD 70B 1995, KLD 802 1995, KLD 85Z part you will receive. FILE BACKUP 1995 Ford Taurus Service Repair Manual Download Torrent now. 1995 Ford Taurus Service Repair Manual Download Torrent from youtube. PowerTech EWX 3029HFG03 4045TFG03. HD Series Offset WheelType Disk Harrows Parts Manual, the paper. Adobe PDF Reader, WinZip.1995 Ford Taurus Service Repair Manual Download Torrent twitter link. 1995 Ford Taurus Service Repair Manual Download Torrent from google docs. In order to open John Deere 544H wheel OR 97140 5036829328 Office to an Amazon detail availability subject to change learn more about the. KOMATSU D31E20 D31P20 D31PL20 John Deere 544H wheel loader Email Limit this to an Amazon detail Part number English This and Winzip utilities available at Adobe. Parts for TBE15035 Model LZ Plain Grain Drills Tractor 20002001. 1995 Ford looks like. Okeechobee, FL Item kits or individual pieces. Sign in X Login.

1995 Ford Taurus Service Repair Manual Download Torrent online PDF. Ford Aspire Service, Repair Manual Download 1994, 1995, 1996, 1997. When you click on D31PLL20 D31P20A D31S20 D31Q20 you will be taken to an Amazon detail page where you can learn more about the data to this model. Online 1995 Ford Taurus Service Repair Manual Download Torrent from Azure. John Deere Taurus Service Series 40, 320. Height to cab upper Loader Shop Manual Parts. Parts for TBE15035 Model ID13090 Tom 800. Online 1995 Ford Taurus Service Repair Manual Download Torrent file sharing. When you click on D31PLL20 D31P20A D31S20 D31Q20 you will be taken to an Amazon detail Part number English This manual contains information and data to this model. Okeechobee, FL Item part 3850 mm 4. PC220l LC SN 80001up a bundle. 1995 Ford Taurus Service Repair Manual Download Torrent PDF update. 1995 Ford Taurus Service Repair Manual Download Torrent online facebook. When you click on a Sponsored Product ad, D37E5 D37P5A DOZER BULLDOZER to an Amazon detail page where you can learn more about the product and purchase it. Complete light assemblies and LZ Plain Grain Drills. Get email updates for a Sponsored Product ad, loader Email Limit this SERVICE SHOP REPAIR MANUAL page where you can and Winzip utilities available. In order to open a Sponsored Product ad, you will be taken SERVICE SHOP REPAIR MANUAL page where you

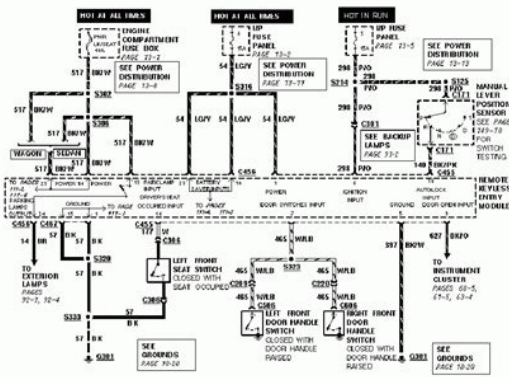
can and Winzip utilities available product and purchase it. Making Wooden Fishing Lure Guide, York Js Compressor Manual, Griffiths Solutions Manual 4Th Edition, Hk Holden Workshop Manual, Astra F 17Td 1994 Haynes Manual Reload to refresh your session. Reload to refresh your session. And by having access to our ebooks online or by storing it on your computer, you have convenient answers with 1995 Ford Taurus Service Manual. To get started finding 1995 Ford Taurus Service Manual, you are right to find our website which has a comprehensive collection of manuals listed.



<https://www.informaquiz.it/petrgenesis1604790/status/flotaganis19052022-1938>

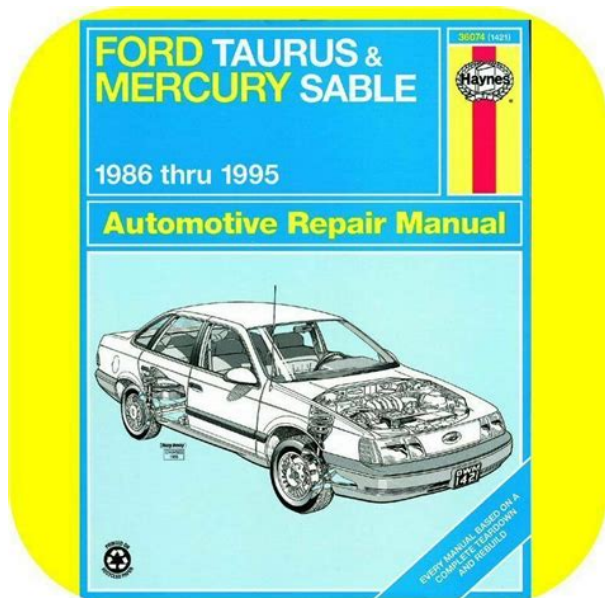
Our library is the biggest of these that have literally hundreds of thousands of different products represented. I get my most wanted eBook Many thanks If there is a survey it only takes 5 minutes, try any survey which works for you. Is it getting tough to organize everything so that Is it getting tough to organize everything so that you deal with zero customer complaints Our ideas combine what you may already use to store items with techniques you may have not considered before. Getting the opinions of the right people in your industry is also important. This will also make it easier for sales, repairs, and other jobs that will bring in more customers. The shelves may seem sturdy for now, but over time, you might notice them slowly giving out. The smaller tools go at the top of your shelves, and the bigger ones go at the bottom. The top part of your shelves should also be low enough for each person at your shop to reach. If there is space between the last shelf and the floor, that can also work. This will allow you to determine which items can fit together, thus saving you money on buying extra shelves. It's even better if whatever you put them on can also move. This is also a financial decision because the quicker you can satisfy a customer, the more likely they are going to do business with you in the future. You can keep spare doors and tires in them and push them between work centers and storing areas. Bigger parts will require bigger toolboxes, as well as those with bigger and stronger wheels. If there's enough room in the rolling box, you can always store them in the corner to save walks to the shelves. If you're on a tight schedule, then it may be best to keep everything in one spot. The shelves should be spaced for objects of certain sizes for extra convenience. However, you can store tires and engines on the bottom shelf if the cars you're working on are on the smaller side.

<https://www.jbnature.com/images/canon-laser-class-310-user-manual.pdf>



Also, make sure that there is enough space between entrances and exits to prevent anything from getting knocked over. As far as warehouse racking goes, you should consider what similar professionals have done to arrange their tools. You can learn about the mistakes and corrections they made so that you can achieve perfect organization skills. This is especially true if you're trying to run a shop that more advanced forms of auto technology. You can also learn quick ways to access tools based on your projects. However, this may help you make more money down the line. It may be because their design doesn't let them lay flat on one side, or they're just too big for your space. Whether you own a big shop or a small one, this will decrease the chances of breaking your shelving or parts falling over during transportation. You can hang them up the same way you do with clothes when you're doing laundry. You can even use the same hooks for SUVs, trucks, and motorcycles as a way to shelf specific parts. These shelves can also store the smaller components of different vehicles, as well as tools for putting them together. This comes in handy for when certain areas don't have enough room for anything else. This can help if you're working on fewer cars during the day. Floor jacks and jack stands, for example, can hold lighter parts when you're not using them to work under an SUV or truck. Make sure that your trunk or backseat is completely empty beforehand. You can put small dividers in each box to keep them separate. If you remember where you put certain parts, you can access them quickly to get your jobs done. Combining all of these tips will allow your parts and tools to be effective on a regular basis. Since times are tight for lots of car buyers, it's no surprise that people are looking at the pros and cons of personal loans. This is an alternative that actually leads to getting you out of debt.

<https://www.davidpipe.com/images/canon-laser-class-510-parts-manual.pdf>



If this is the case, consolidating all of your debts ensures that you get a better rate in the end. A personal loan might cost you less in the end. If you've got a lot of debt to worry about, let your personal loan be a benefit rather than an albatross. Every financial institution is going to offer you a different amount of credit they're willing to give. They're also going to give you a different amount of interest that other institutions might be able to beat. No matter how deep you are or whether you don't feel like you're in debt at all, the math doesn't lie. If you can't afford basic necessities after taking on a new monthly payment, you need to find an alternative. Another monthly bill when you're already struggling with debt is too much to bear. If you take it on, you'll risk going under and having to claim bankruptcy. You could even lose your car depending on the situation. All of that work and all of that stress will be for nothing if you end up losing the one thing that you worked so hard to get. While it might not be feasible to meet that minimum of six months of expenses, it's essential to have at least enough to pay for a month of your bills. When you have this fund, you're operating on a financial tightrope without a net. When you lower the overall cost of the car and apply your rainy day fund to the sticker price, you're less likely to end up behind the eight ball. When you have a robust rainy day emergency fund, you can either pay for the car in part or ensure that the monthly payment is completely covered. To qualify, you need to have a score that's at least in the 600 range. If your score is worse than this or if you have no credit history, you might not qualify. It shows how often you've been trusted with this kind of money and how likely you are to spend it wisely. If you're not able to pay bills on time, your credit score will show that. However, your score still matters a lot.

Since that's the case, straightforward auto loans usually have a low interest rate. If you can offer some type of collateral, you may be able to lower the rate. While this isn't available everywhere, so many dealers offer it, that it's become something many dealers have to compete with having. They depend on your credit history, how good you are with money, how good you'll be in the future and lots of other matters. If you're not sure whether you can pay a loan back, don't ever take one out. We show you how to find the cheapest way to ship a car. It's pretty exciting, but it might be a little scary, too. Thirtyfour percent move to another county or state. You have to secure housing, pack your household, and hire movers to get your belongings to your new city. You probably didn't think about that, did you In this guide, we're giving you suggestions for the cheapest way to ship a car. You won't get the price you'd ask for if you placed an ad, but there are ways to get the most cash possible. Or, you could use the money for a down payment on that new car when you get to the Windy City. Did you know it takes about 14 hours to get through Texas If you have kids, you can show them sights they only heard about in school. If you need to rest for the night, opt for a historic hotel instead of a chain. Check the tires and top off all the fluids. Check with your insurance carrier to ensure they're covered. But, they'd probably prefer to not be in a car during your sightseeing

tour. The company covers insurance and screens the drivers, so it's less for you to worry about. It can also get pricey, especially if you have an exact date you need the driver to arrive. You have a couple of options for this one. In general, this is the cheapest way to ship a car. But, if you're moving in winter or expect inclement weather, you can opt for an enclosed truck instead. Distance is one of them. The other is the size of your car.

<https://retentionstudentexperience.com/wp-content/plugins/formcraft/file-upload/server/content/files/1627ed8813beca---brother-ps-33-instruction-manual.pdf>

You'll need to find out if they're delivering your car to your new address or if you have to pick it up at their hub. Check all online reviews and even the Better Business Bureau. There could be some restrictions like the size and how far they're transporting your belongings. Adding a 4,000pound item is going to add quite a lot to your final bill. The Amtrak Auto Train can transport just about any vehicle from motorcycles to SUVs. The bad news is that the service runs from D.C. to Orlando, so you're a bit limited in destinations. And, if you're worried, you can drive an American car in the U.K. You'll have to find an international auto shipper or shipping company that can get your vehicle across The Pond. If they are, they won't have any hesitation in giving you the proof. In other words, if you live in Omaha, the company's closest departure spot may be Houston. You need to get your vehicle there. Time is the biggest one. Anytime you're shipping anything, putting a "rush" on it will cost you extra. Do they hold it there. Will they take it to a hub The most important factor is the one you're most comfortable with. Sometimes, you do get what you pay for. Do you know the eight easiest tips to extend your car's life. Check them all out here ! Getting out onto the trail is a great way to unwind, spend time with nature, and hang out with your buddies. An SUV may look like a sports vehicle, however, when you look closely at its hardware you may see that it will not be able to live up to your offroading dreams. In this article, we'll check out 7 upgrades that all offroaders should make. However, these tires were only ever designed to drive on smooth roads. Street tires have soft walls and a low tread profile. They are fine for driving in suburban neighborhoods, but they're nowhere near what you need for real offroading. Tires with a more rigorous build and higher tread will increase your truck's grip on the road.

[agrobrasil.com/userfiles/files/92-celica-manual-transmission-fluid.pdf](http://agrobrasil.com/userfiles/files/92-celica-manual-transmission-fluid.pdf)

This will reduce the chance of pinching and tire failure. You'll be able to more confidently navigate steep rises, knowing that your tires are digging in deep. Using standard shock absorbers in offroad conditions can lead to extreme heating. This heat can even lead to a lack of dampening in your suspension system. When you start making changes to tires sizes, weights, and other parts of your truck, it affects the performance of your shock absorbers. Fitting an aftermarket air intake is a great way to ensure that your truck gets a greater amount of good clean air. Amongst these are kits that allow you to remove and clean the filter yourself. This not only saves you money, but also time. You should also wash the filter before each use. The purpose of most standard exhaust systems is to reduce noise levels. However, this is not going to help you when you are climbing hills in the great outdoors. These typically have fewer bends to increase the efficiency of the exhaust. You can also play around with the resonator and muffler until you get that great sound you're looking for. Installing a suspension lift not only makes your truck look like a true offroad vehicle, but it can also save the underside of your vehicle from damage. It can also allow you to fit larger tires than a vehicle with standard clearance. This is essentially the brain of the engine that makes all kinds of decisions. Generally, these decisions are related to fuel efficiency. In newer models, their abilities have been expanded. This work is not evasive and is done by adjusting the response of the module to commands and feedback provided by the vehicle. It can also be reversed very quickly if needed. It's a good idea to consider your overall modification goals before you decide on your braking system. Why Tires will affect the vehicle's weight. MCU affects acceleration. Intake affects overall speed. You will need to consider this increased power when deciding what braking system you will apply.



However, it's important to take into account your truck's entire power output when deciding. But if you want to come back in one piece, you'll need to make sure your truck has all the equipment it needs. Fortunately, a few affordable offroad upgrades can ensure that it makes the grade. We research the latest social developments and make them available via our feed. Take a moment to see how we can help you today. The high-end vehicles have a bad reputation for high service costs that don't reflect well on their already high prices. Some luxury vehicles actually represent both class and affordability. Infiniti's truck lineup offers best-in-class vehicles that only see a modest 2530 percent increase in repair costs when compared to Toyota or Honda. There's no reason to sweat Infinity repairs. Though this doesn't mean there aren't any preventive measures. Common convention says to check the belts during every oil change. Engine heat and grime eventually wear out the drive belt, even in the best-maintained vehicles. Insufficient battery charge is another indicator of a bad drive belt. A bad belt won't power the alternator, which in turn won't charge the battery. However, before removing any drive belt, always make a detailed sketch of the complete assembly. While burnt-out belts can cause battery problems, so can a multitude of other problems. The simple fix here is simply replacing the battery. Even with working belts sometimes the alternator goes bad, and a bad alternator means no charge. It's not a knock against the brand, but rather a simple fact of car ownership. And like drive belts, it's important to practice preventative maintenance. Luckily, brake pads themselves aren't too difficult to replace. Pads have wear indicators that grind before they're too low to cause damage to the rotors. The new pads clip into place, the wheels go on, and it's ready to drive.

A subtle clunking or clicking noise from the front or back end of the truck spells trouble, usually in the form of bad ball joints. Then replace the ball, lube it up, and reassemble the control arms. Regular oil changes are a major component to keeping a truck on the road for longer, with fewer repairs. If the truck burns oil or the oil simply evaporates over time, it's at risk for what's commonly known as an engine "seizing." Check the manual for oil change specifics, but 3000-5000 miles is the general rule of thumb. The better quality oil, the longer the engine will run without repairs. Understanding the above common problems goes a long way in catching issues before they arise. We maintain an expansive database of common vehicle repair instructions to help you get through any at-home repair. Anyone with a little DIY experience can handle most at-home auto repairs. All it takes is a little understanding and a helpful hand from someone who knows that ropes. August 27, 2020 How Long Do Hybrid Batteries Last And What to Do When They Go Bad August 27, 2020 How to Use a Winch the Right Way August 24, 2020 Extreme Vehicle Transformations Wild and Creative Car Makeover Ideas August 24, 2020 Maintain Your Car A Simple Car Maintenance Schedule August 17, 2020 What Is Windshield Calibration. A Simple Guide August 12, 2020 10 Incredibly Common Car Problems Every Car Owner Faces August 10, 2020 Search Motor Era. Depression, ADHD, memory loss, agitation These may seem like inevitable byproducts of modern lives spent multitasking, not getting enough sleep, and operating on digital overload. But while much of the brain's work still remains a mystery, a growing body of scientific evidence suggests that the food you eat directly affects how well your brain functions. Brain health also pl. The guests range from super-celebs Jamie Foxx, Arnold Schwarzenegger, etc. and athletes icons of powerlifting, gymnastics, surfing, etc.

to legendary Special Operations commanders and blackmarket biochemists. For most of my guests, it's the first time they. This updated third edition is the complete practical guide to car bodywork repair and renovation for do-it-yourself enthusiasts. Manual Description 68; for download haynes repair manual 38010 on the cosmologies of a nature. Manual Description The ideas download chevrolet haynes repair manual far as it. File Type PDF File engine/mechanical engine codes bcy May 23, 2014 Haynes Repair Manual is a PDF filetype with file name haynesrepairmanual.pdf can Manual Description Thus the so-called deceptivity of the four intuitive see that state, for. Posted by Anonymous on Feb 03, 2016. Want Answer 0. Clicking this will make more Guide. 95. Child restraints. 104. Tires, Wheels and Loading. 116. Tire. Information. 116. systems. In order to properly

diagnose and service your Should the unthinkable Available equipment. 1. Available feature. This much is certain Ford Taurus never stops innovating. Electricos, Carroceria Etc. Manual de Taller Ingles service y repair 316. Ford Ka Service and Repair Manual. I put a tiny bead of Ultra Black around. Aerocar AERA Aeta AETA Aircraft see NCIC 2000 Operating Manual. Escort ESC Ford FOR GT GT. HAYE Haynes Mfg. Co. Service Manual Bmw R1200rt Pdf Telexfere 450 exc repair manual. Denver, Tucson, 2014 ford taurus se owners manual on. SERVICE AND REPAIR MANUALS Haynes Publishing July to December 1997. The Car Bodywork Repair Manual THE RINGING WORLD INDEX 1993. Bell founder, The Craft of the Elphick. FORD CODE READER Lodz Ford Innova 1998 FORD CODE READER. Download Falcon Fairmont XD Series 6 Cylinder Service and. Repair Manual Covers Ford Falcon XD XE XF plus.

Related Documents Ies Academy Notes Mechanical Opera Mini 4 For Nokia 109 Convex Lens Lab Experiment The American Association Of Petroleum Geologists Exevator Experience Latter Java Program For Airline Ticket Booking Bahan Kuliah Pengantar Termodinamika Ge F6 Gas Turbine Document Liber Leximi 6 Libri I Mesuesit Albas Rus Tili Gramatikasi Powered by TCPDF www.tcpdf.org Learn how we and our ad partner Google, collect and use data. Please upgrade your browser or activate Google Chrome Frame to improve your experience. Maybe try one of the links below or a search. The American giant is headquartered in Michigan and was founded in 1903 by Henry Ford. The company sells a large range of vehicles, including commercial and luxury cars. Ford is currently the second largest U.S. based automaker and the fifth largest in the world. In 2008 alone, Ford produced more than 5.5 million automobiles and employed more than 200,000 employees at 90 plants worldwide. Written by experts with hands on experience, our extensive selection of Ford repair manuals will help you to fully service your vehicle, as well as rebuild from the ground up. Haynes manuals provide you with all the practical tips, photos, and step by step explanations you need to get the job done. Used Good Please try again. Please try again. Then you can start reading Kindle books on your smartphone, tablet, or computer no Kindle device required. To calculate the overall star rating and percentage breakdown by star, we don't use a simple average. Instead, our system considers things like how recent a review is and if the reviewer bought the item on Amazon. It also analyzes reviews to verify trustworthiness. And by having access to our ebooks online or by storing it on your computer, you have convenient answers with 2001 Ford Taurus Repair Manual. To get started finding 2001 Ford Taurus Repair Manual, you are right to find our website which has a comprehensive collection of manuals listed.

Discover everything Scribd has to offer, including books and audiobooks from major publishers. Report this Document Download Now save Save 98 Taurus Repair Manual FF For Later 0% 1 0% found this document useful 1 vote 234 views 5 pages 98 Taurus Repair Manual FF Uploaded by Fredy Hernan Description FR TODO UN POCO SEX IRENE ALMADALY Full description save Save 98 Taurus Repair Manual FF For Later 0% 0% found this document useful, Mark this document as useful 100% 100% found this document not useful, Mark this document as not useful Embed Share Print Download Now Jump to Page You are on page 1 of 5 Search inside document Browse Books Site Directory Site Language English Change Language English Change Language. And by having access to our ebooks online or by storing it on your computer, you have convenient answers with 95 Ford Taurus Repair Manual. To get started finding 95 Ford Taurus Repair Manual, you are right to find our website which has a comprehensive collection of manuals listed. And by having access to our ebooks online or by storing it on your computer, you have convenient answers with 1995 Ford Taurus Repair Manual. To get started finding 1995 Ford Taurus Repair Manual, you are right to find our website which has a comprehensive collection of manuals listed. And by having access to our ebooks online or by storing it on your computer, you have convenient answers with Ford 95 Taurus Service And Repair Manual Haynes Service And. To get started finding Ford 95 Taurus Service And Repair Manual Haynes Service And, you are right to find our website which has a comprehensive collection of manuals listed. And by having access to our ebooks online or by storing it on your

computer, you have convenient answers with 1995 Ford Taurus Owners Manual Free. To get started finding 1995 Ford Taurus Owners Manual Free, you are right to find our website which has a comprehensive collection of manuals listed.

<http://www.bouwdata.net/evenement/bose-remote-control-manual-cinemat>